

# Compression Fittings



# HERTH

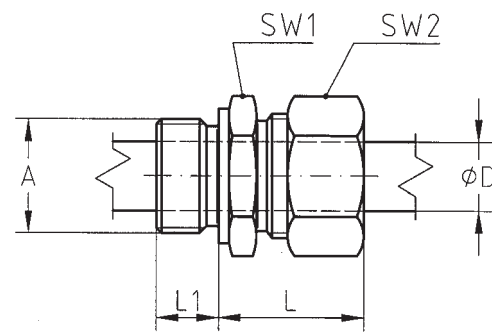
elektrische Temperaturregeber GmbH



Compression fittings for the installation of thermometers in furnaces and exhaust systems. Adjustable, gas-tight up to approx. 3 bar (depending upon pipe-Ø).

### Spezifikation

Fitting material: galvanized steel or stainless steel  
Seal: graphite



## Stainless steel

A	D	Art.-No.	L	L1	SW1	SW2
	15	60460021	41	18	41	41
G1A	22	60460012	42	18	41	41
	25	60460009	43	18	41	41
G1 1/4 A	30	60460010	58	20	50	50
	32	60460017	58	20	50	50

## Galvanized steel

A	D	Art.-No.	L	L1	SW1	SW2
	8	60460008	40	14	27	24
G 1/2 A	10	60460002	40	14	27	24
	15	60460014	44	14	27	30
G 3/4 A	15	60460003	48	16	32	36
	17	60460018	48	16	32	36
	15	60460004	41	18	41	41
G1A	22	60460005	42	18	41	41
	25	60460006	42	18	41	41
M33 x 2	22	60460019	42	18	41	41
	26	60460007	58	20	50	50
G1 1/4 A	26,90	60460015	58	20	50	50
	32	60460011	45	20	50	50

DB\_012\_S1v1engl